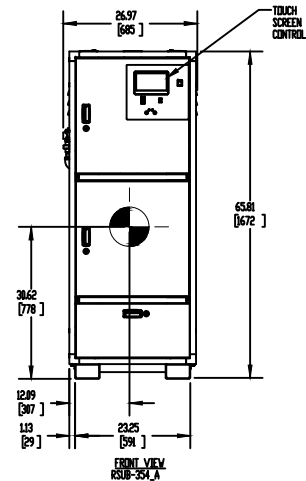
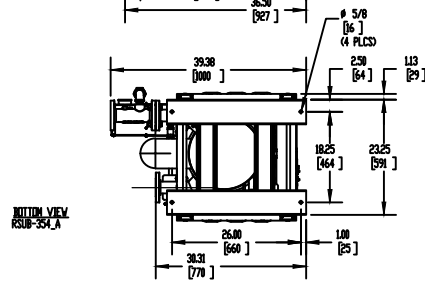
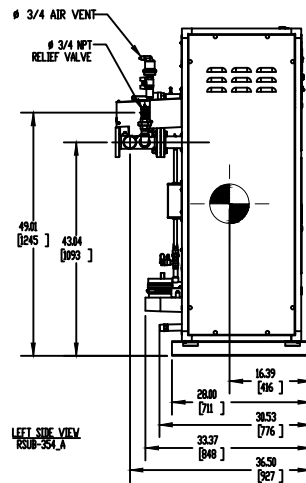
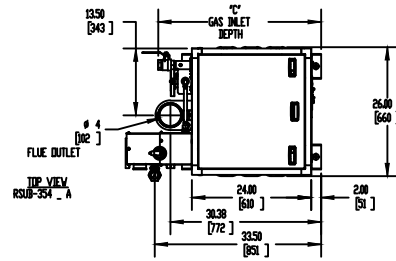


GAS OPTION	1/2"	3/4"	1"
HG	1-1/4 NPT	1.95	2.40
LP	3/4 NPT	1.95	2.24



NOTES

1. SYMBOL INDICATES CENTER OF GRAVITY.
2. DIMENSIONS ARE NOMINAL AND SUBJECT TO MANUFACTURING VARIATION AND SHOULD NOT BE USED FOR 'ROUGHING IN'.
3. ALL DIMENSIONS ARE INCHES (mm).